

THE
GALLERY
COLLECTION



BROUGHT TO YOU BY

 **PERCYDOUGHTY**

AUTHORISED DEALER

www.thegallerycollection.co.uk

THE GALLERY COLLECTION

STOVES 2016 - 2017



THE GALLERY COLLECTION

WELCOME TO THE GALLERY COLLECTION

The Gallery Collection presents an extensive range of traditional and contemporary stoves, combining supreme craftsmanship, quality materials and elegance in design.

There's nothing quite like the feeling invoked by the comforting glow and warmth of a cast iron stove. Our desire is to provide you with a superb choice of high performance, efficient stoves that are skilfully made with high quality materials.

Featured within this brochure is a range of stoves suitable for many scenarios and fuel types such as wood, gas or multi fuel. You'll find stoves with a variety of heat outputs ranging from 4.6kW to 12kW and with efficiencies of up to 83%.

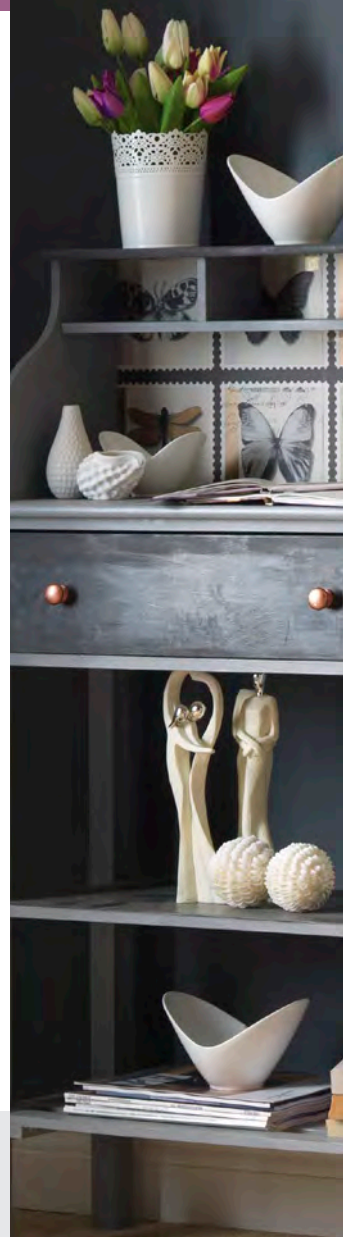
As well as our continuing development of innovative stoves, this year we've also added further options to our range of authentic fireplace chambers, hearths, stoves, and fireplace accessories, allowing you to create that perfect focal point to your living space.

Most of the fireplaces within this brochure (items such as hearths, chambers, beams and surrounds) are part of the Gallery Collection and can be purchased along with your stove.

For more information on these items and many more, please ask your dealer for our other Gallery Collection brochures: FIREPLACE SUITES & FIRES and MANTELS & CAST IRON FIREPLACES.

CONTENTS

TIGER MULTI FUEL	04	FIREFOX 8 GAS	24
TIGER CLEAN BURN	06	CLASSIC 5 CLEAN BURN	26
TIGER INSET	08	CLASSIC 8 CLEAN BURN	28
TIGER GAS	10	HELIOS 5 CLEAN BURN	30
FIREFOX 5.1 MULTI FUEL	12	HELIOS 8 CLEAN BURN	32
FIREFOX 8.1 MULTI FUEL	14	HELIOS 5 INSET	34
FIREFOX 5.1 CLEAN BURN II	16	CHAMBERS	36
FIREFOX 8.1 CLEAN BURN	16	HEARTH & BEAMS	37
FIREFOX 8 TD MULTI FUEL	18	STOVE ACCESSORIES	38
FIREFOX 12 MULTI FUEL	20	STOVE DIMENSIONS	40
FIREFOX 12 BOILER STOVE	21	STOVE INFORMATION	42
FIREFOX 5 GAS	22	CARE & MAINTENANCE	43







TIGER MULTI FUEL

Versatile cast iron stove

- FUEL TYPE
Wood, Coal, Anthracite
- HEAT OUTPUT
Up to 6kW
- EFFICIENCY
Up to 77%
- FLUE DIAMETER
150mm
- DIMENSIONS (mm)
(H)600 x (W)555 X (D)330

SHOWN WITH
MAIN IMAGE

RUSTIC HERRINGBONE BRICK CHAMBER,
SLABBED PORCELAIN SLATE TILED HEARTH, 54" CONTEMPORARY NATURAL OAK SHELF



SHOWN HERE WITH...

EUROPA LOG STORE - SLABBED 36" X 36" SLATE HEARTH

TIGER CLEAN BURN

DEFRA approved wood burning stove

- FUEL TYPE
Wood, Coal, Anthracite
- HEAT OUTPUT
Up to 5kW
- EFFICIENCY
Up to 73%
- FLUE DIAMETER
150mm
- DIMENSIONS (mm)
(H)600 x (W)555 X (D)330

SHOWN WITH
MAIN IMAGE

RUSTIC BRICK CHAMBER - 48" SLABBED GRANITE HEARTH
- SLABBED GRANITE BACK HEARTH - BESPOKE OAK BEAM



SHOWN HERE WITH
AMERICANA COOK TOP - SLABBED 36" X 36" SLATE HEARTH





TIGER INSET

DEFRA approved inset stove

■ FUEL TYPE

Multi fuel*

■ HEAT OUTPUT

Up to 4.9kW

■ EFFICIENCY

Up to 82%

■ FLUE DIAMETER

150mm**

■ DIMENSIONS (mm)

EXTERNAL: (H)600 x (W)520 X (D)126

INSET: (H)542 x (W)398 X (D)216

* Only wood and smokeless fuels may be used in clean burn mode

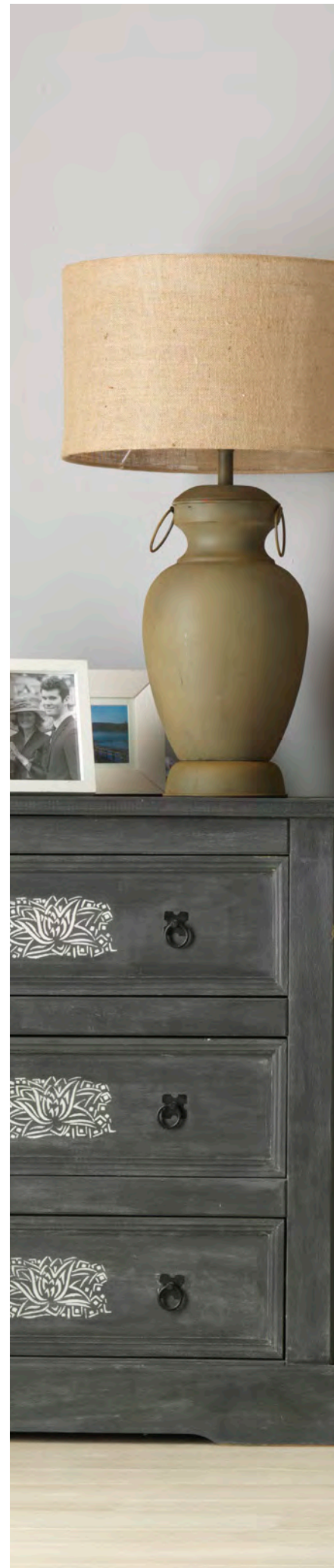
** Required with an additional PDQ adapter if fitting with a flue liner

SHOWN WITH

MAIN IMAGE

SWAINBY PORTUGUESE LIMESTONE SUITE AND SECTIONED LIMESTONE HEARTH

(SEE OUR GALLERY FIREPLACE SUITES BROCHURE FOR DETAILS)





Woodland Butterfly Summer 1863



Meadow Butterfly Spring 1864



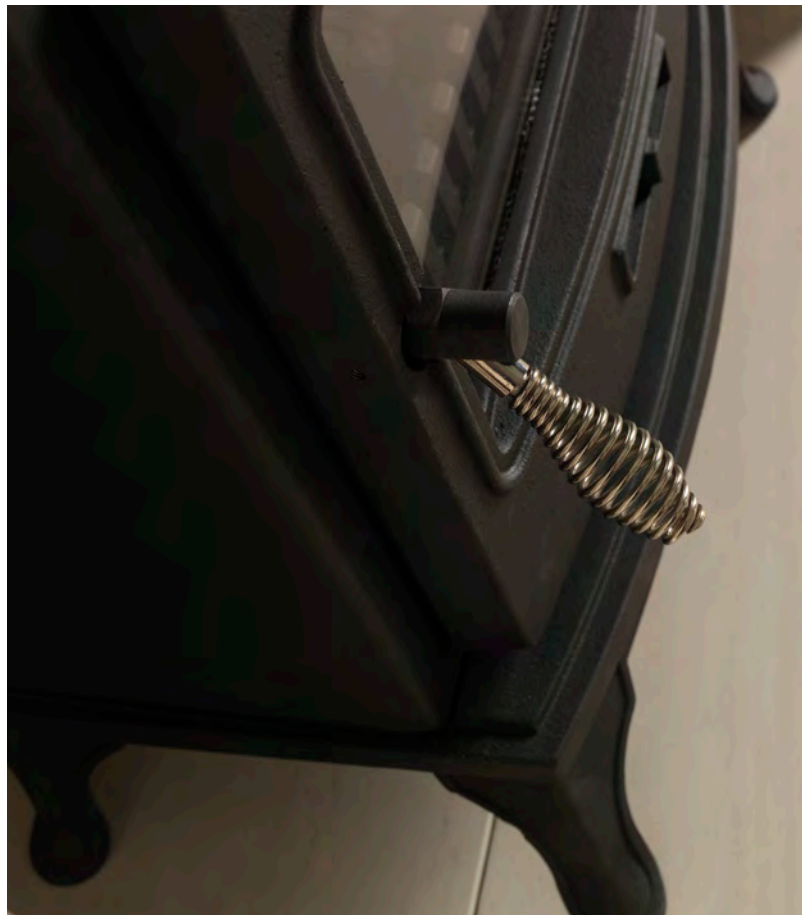


Gas stove with high definition ceramic logs

- FUEL TYPE
Gas
- HEAT OUTPUT
Up to 5kW
- EFFICIENCY
Up to 73%
- FLUE DIAMETER
125mm
- DIMENSIONS (mm)
(H)590 x (W)570 X (D)420

SHOWN WITH
MAIN IMAGE

CONISTON 54 PORTUGUESE LIMESTONE SUITE (SEE OUR GALLERY FIRE-
PLACE SUITES BROCHURE FOR DETAILS) - NATURAL REEDED FIREBOARD
CHAMBER - PORTUGUESE LIMESTONE BACK HEARTH



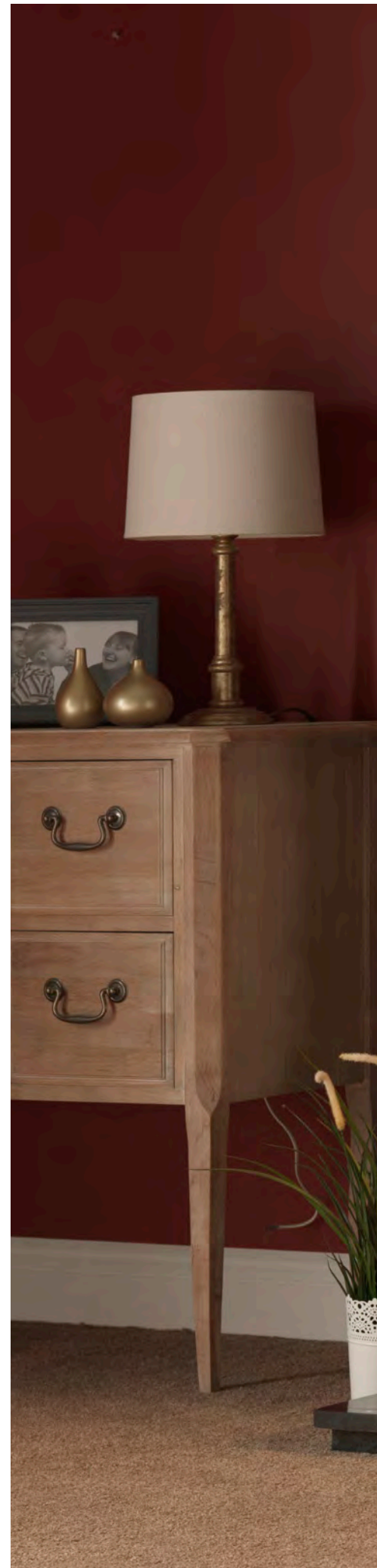
FIREFOX 5.1 MULTI FUEL

Quality cast iron stove

- FUEL TYPE
Wood, Coal, Anthracite
- HEAT OUTPUT
Up to 4.9Kw
- EFFICIENCY
Up to 78%
- FLUE DIAMETER
125mm
- DIMENSIONS (mm)
(H)535 x (W)405 X (D)360

SHOWN WITH
MAIN IMAGE

RUSTIC BRICK CHAMBER WITH FRONT RETURNS & ARCH,
SLABBED GRANITE HEARTH, SLABBED GRANITE BACK HEARTH, 54" CROFT PINE BEAM







FIREFOX 8.1 MULTI FUEL

Quality cast iron stove

- FUEL TYPE
Wood, Coal, Anthracite
- HEAT OUTPUT
Up to 8.4kW
- EFFICIENCY
Up to 79%
- FLUE DIAMETER
150mm
- DIMENSIONS (mm)
(H)595 x (W)555 X (D)365

SHOWN WITH
MAIN IMAGE

48" SLABBED GRANITE HEARTH - SLABBED GRANITE BACK HEARTH



FIREFOX 5.1 & FIREFOX 8.1 CLEAN BURN

DEFRA approved cast iron stoves

FIREFOX 5.1 CLEAN BURN II

- FUEL TYPE*
Wood, Anthracite
- HEAT OUTPUT
Up to 4.9kW
- EFFICIENCY
Up to 79%
- FLUE DIAMETER
125mm
- DIMENSIONS (mm)
(H)535 x (W)405 X (D)360

FIREFOX 8.1 CLEAN BURN

- FUEL TYPE*
Wood, Anthracite
- HEAT OUTPUT
Up to 7.9kW
- EFFICIENCY
Up to 77%
- FLUE DIAMETER
150mm
- DIMENSIONS (mm)
(H)595 x (W)555 X (D)365

* Only wood and smokeless fuels may be used in clean burn mode

SHOWN WITH

MAIN IMAGE

FIREFOX 5.1 CLEAN BURN II - 48" RUSTIC DARK OAK GEOCAST BEAM WITH FEATURE LIGHTS - GREY CERAMIC BRICK BOND CHAMBER - SLATE HEARTH AND BACK HEARTH





FIREFOX 8TD MULTI FUEL

Firefox 8 stove with twin doors



SHOWN WITH

36" x 36" SLABBED SLATE HEARTH - BAMPTON LOG BASKET



■ **FUEL TYPE**
Wood, Coal, Anthracite

■ **HEAT OUTPUT**
Up to 8.4Kw

■ **EFFICIENCY**
Up to 79%

■ **FLUE DIAMETER**
150mm

■ **DIMENSIONS (mm)**
(H)595 x (W)555 X (D)365



SHOWN WITH
BESPOKE BRICK BUILT FIREPLACE

FIREFOX 12 MULTI FUEL

& optional boiler model

FIREFOX 12 MULTI FUEL

- FUEL TYPE
Wood, Coal, Anthracite
- HEAT OUTPUT
Up to 13kW
- EFFICIENCY
Up to 76%
- FLUE DIAMETER
150mm
- DIMENSIONS (mm)
(H)680 x (W)645 X (D)415

The Firefox 12B is equipped with an efficient thermostatically controlled boiler that not only warms your room but will run up to 8 radiators and also heat your household water.

FIREFOX 12 BOILER

- FUEL TYPE
Wood, Anthracite
- HEAT OUTPUT
Up to 13kW
- EFFICIENCY
Up to 73%
- FLUE DIAMETER
150mm
- DIMENSIONS (mm)
(H)680 x (W)645 X (D)415

OUTPUT TO WATER	OUTPUT TO ROOM
Nominal output when burning wood	
7.4kW	6.2kW
Nominal output when burning solid fuel	
8kW	4.8kW



SHOWN WITH
OAK BEAM - SLABBED BRICK CHAMBER - 56" BARLEY SLATE HEARTH



FIREFOX 5 GAS

Cast iron gas stove



- FUEL TYPE
Gas
- HEAT OUTPUT
Up to 4kW
- EFFICIENCY
Up to 73%
- FLUE DIAMETER
125mm
- DIMENSIONS (mm)
(H)580 x (W)405 X (D)445

SHOWN WITH
MAIN IMAGE

OAK HOWARD MANTEL (SEE OUR GALLERY MANTELS & CAST IRON FIREPLACES BROCHURE FOR DETAILS) - PORTUGUESE LIMESTONE CHAMBER - PORTUGUESE LIMESTONE SLIPS - PORTUGUESE LIMESTONE HEARTH





FIREFOX 8 GAS

Cast iron gas stove

- FUEL TYPE
Gas
- HEAT OUTPUT
Up to 5kW
- EFFICIENCY
Up to 73%
- FLUE DIAMETER
125mm
- DIMENSIONS (mm)
(H)605 x (W)555 X (D)425*

HIGH DEFINITION CERAMIC LOGS



CLASSIC 5 CLEAN BURN

DEFRA approved wood burning stove

- FUEL TYPE*
Wood, Anthracite
- HEAT OUTPUT
Up to 4.9kW
- EFFICIENCY
Up to 79%
- FLUE DIAMETER
125mm
- DIMENSIONS (mm)
(H)558 x (W)400 X (D)370

* Only wood and smokeless fuels may be used in clean burn mode

SHOWN WITH
MAIN IMAGE

RUSTIC BRICK CHAMBER WITH FRONT RETURNS - 48" SLABBED GRANITE
HEARTH & BACK HEARTH - 48" RUSTIC LIGHT OAK EFFECT GEOCAST BEAM







CLASSIC 8 CLEAN BURN

DEFRA approved wood burning stove

- FUEL TYPE*
Wood, Anthracite
- HEAT OUTPUT
Up to 8.4kW
- EFFICIENCY
Up to 79%
- FLUE DIAMETER
150mm
- DIMENSIONS (mm)
(H)570 x (W)580 X (D)375

* Only wood and smokeless fuels may be used in clean burn mode

SHOWN WITH
36" x 36" SLABBED SLATE HEARTH



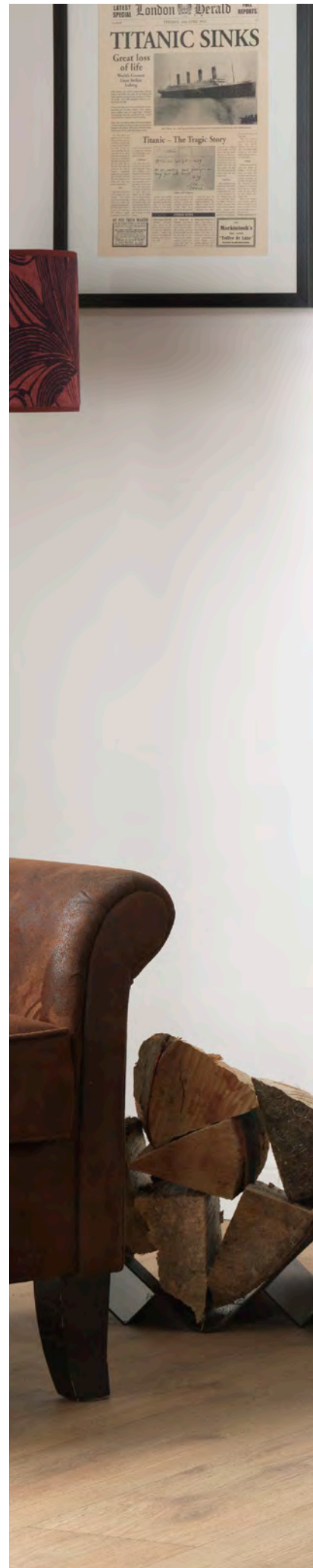
HELIOS 5 CLEAN BURN

Compact freestanding stove

- FUEL TYPE*
Wood, Anthracite
- HEAT OUTPUT
Up to 4.6kW
- EFFICIENCY
Up to 83%
- FLUE DIAMETER
125mm
- DIMENSIONS (mm)
(H)486 x (W)370 X (D)327

* Only wood and smokeless fuels may be used in clean burn mode

SHOWN BELOW:
HELIOS 5 CLEAN BURN WITH OPTIONAL LOG STORE BASE.





STAGGERED BLACK SLATE BLOCK CHAMBER - 48" SLABBED HONED GRANITE
HEARTH & BACK HEARTH - 48" RUSTIC LIGHT OAK EFFECT GEOCAST BEAM

HELIOS 8 CLEAN BURN

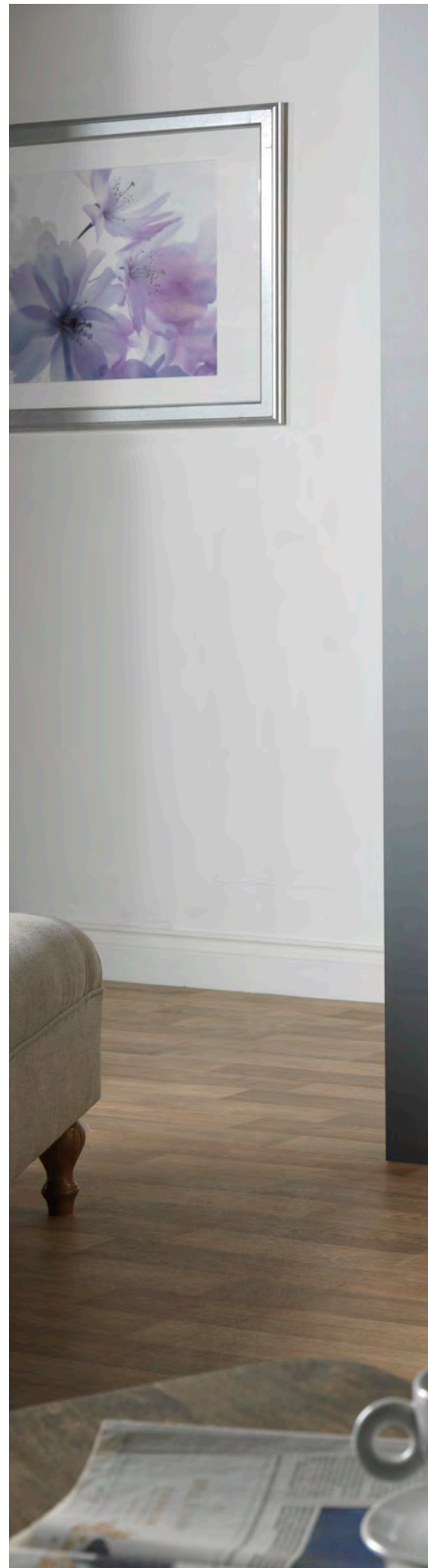
Versatile freestanding stove

- FUEL TYPE*
Wood, Anthracite
- HEAT OUTPUT
Up to 8.3kW
- EFFICIENCY
Up to 81%
- FLUE DIAMETER
150mm
- DIMENSIONS (mm)
(H)584 x (W)440 X (D)366

* Only wood and smokeless fuels may be used in clean burn mode

SHOWN WITH
MAIN IMAGE

RED CERAMIC BRICK NOND CHAMBER - 54" PORCELAIN SLATE TILED HEARTH -
54" RUSTIC LIGHT OAK EFFECT GEOCAST BEAM WITH FEATURE LIGHTS





HELIOS INSET CLEAN BURN

DEFRA approved inset stove

- FUEL TYPE*
Wood, Anthracite
- HEAT OUTPUT
Up to 4.5kW
- EFFICIENCY
Up to 81%
- FLUE DIAMETER
125mm
- DIMENSIONS (mm)
(H)590 x (W)470 X (D)311

* Only wood and smokeless fuels may be used in clean burn mode

SHOWN WITH
MAIN IMAGE

DACRE SUITE IN PORTUGUESE LIMESTONE
(SEE OUR GALLERY FIREPLACE SUITES BROCHURE FOR DETAILS)

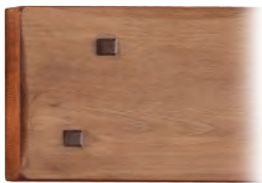




CHAMBERS

BEAMS

Updated Geocast Oak Effect Beams - The realistic oak effect fireplace beams now look even more realistic than ever before and are available in light and dark oak effect. Available in three sizes, they are lightweight and moulded from three separate natural oak beams. Newly developed, the material is composed of natural inorganic minerals, and is non-toxic and unburnable offering many advantages over wooden beams. They are available in 36" 48" and 54" with concealed feature lights available as an option for the 48" and 54" versions.



CROFT BEAM
NATURAL PINE



CONTEMPORARY SHELF
NATURAL OAK



RUSTIC DARK OAK
GEOCAST BEAM



RUSTIC LIGHT OAK
GEOCAST BEAM

CHAMBERS



STAGGERED BLACK SLATE
BLOCK CHAMBER



STAGGERED OYSTER SLATE
BLOCK CHAMBER



VERMICULITE
REEDED CHAMBER



OLIVE SLATE
WATERFALL CHAMBER



GREY CERAMIC
BRICK BOND CHAMBER



RED CERAMIC
BRICK BOND CHAMBER



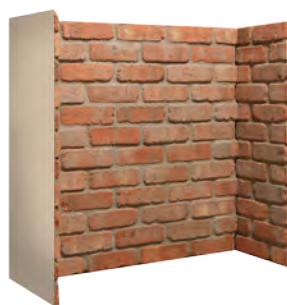
NATURAL LIMESTONE
BLOCK CHAMBER



GRAPHITE SLATE
WATERFALL CHAMBER



RUSTIC
BRICK CHAMBER
WITH FRONT RETURNS & ARCH
ALSO AVAILABLE WITHOUT ARCH



RUSTIC
BRICK CHAMBER



RUSTIC HERRINGBONE
BRICK CHAMBER



PORCELAIN SLATE
BRICK BOND CHAMBER

HEARTHES

With such a varied range of hearths and beams, we make it easy for you to create a truly unique fireplace. We offer a variety of hearths in many shapes and sizes and suitable for use with all fuel types. Please consult with your nearest Gallery dealer to determine the correct hearth specification for you.

GLASS & GRANITE HEARTHES

These high quality glass & granite hearths are a contemporary alternative to complement any multi fuel or wood burning stove.

The glass hearths are constructed from 12mm toughened glass and are available in smoked or transparent glass. The granite hearths are constructed from 20mm natural black granite and are available honed or polished. There are four shapes available to choose from:



SQUARE



SEMI-CIRCLE



TRUNCATED



TEAR DROP

PORTUGUESE
LIMESTONE



OLIVE
SLATE
TILE



GRAPHITE
SLATE
TILE



AUTUMN
QUARRY
TILE



BARLEY
SLATE
TILE



PORCELAIN
SLATE
TILE



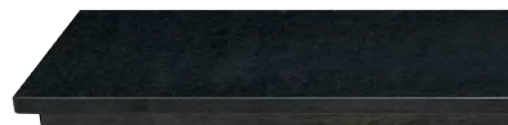
NATURAL
SLATE



BRAZILIAN
SLATE



EBONY
GRANITE



HONED
GRANITE



STOVE ACCESSORIES



ELIPSE
H: 54cm
PEWTER
CODE: 2109



MANOR
H: 55cm
BLACK & PEWTER
CODE: 1056
ALSO AVAILABLE IN:
BLACK & BRASS (1066);
BLACK (1065)



ORION
H: 59cm
PEWTER
CODE: 2120
ALSO AVAILABLE IN
BLACK (2124)



SMALL MERLIN
H: 66cm
BLACK & CHROME
CODE: 1109



HOOK
H: 54cm
BLACK
CODE: 1147



TEMPLE
H: 58cm
BLACK
CODE: 1191



LOG STATION
H: 73cm W: 46cm D: 30cm
BLACK
CODE: 0317



DUO
H: 36cm
PEWTER
CODE: 1143
ALSO AVAILABLE IN
BLACK (1142)



SALISBURY
Dia: 22cm
BLACK
CODE: 0322



WARWICK
Dia: 24cm
BLACK & PEWTER
CODE: 1396
ALSO AVAILABLE IN
BLACK & BRASS (1370)



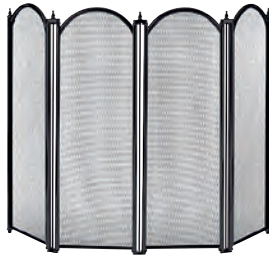
WATERLOO
Dia: 30cm
BLACK
CODE: 0327



CATHEDRAL (SET OF 3)
Dia: 33cm; 27cm; 22cm
BLACK
CODE: 1305



DYNASTY 3 FOLD
 H: 67cm W: 43cm D: 20cm
 CHROME TOP
 CODE: 2091
 ALSO AVAILABLE IN:
 BLACK TOP (1796)



DYNASTY 4 FOLD
 H: 64cm D: (PANELS) 21cm
 BLACK
 CODE: 1771



SENTRY
 H: 76cm W: 68cm D: 23cm
 BLACK
 CODE: 1997



NORDIC LOG STORE
 H: 59cm W: 28cm D: 25cm
 BLACK
 CODE: 0376



NORDIC TOOL SET
 H: 69cm
 BLACK
 CODE: 2157



VAULT
 H: 47cm W: 37cm D: 35cm
 BLACK
 CODE: 0379



CRESCENT
 W: 44cm D: 33cm
 BLACK
 CODE: 0359



SMITHYS LOG HOLDER & TOOLS
 H: 62cm W: 65cm D: 26cm
 BLACK
 CODE: 0344



RUSHDEN
 H: 30cm W: 51cm D: 38cm
 WILLOW
 CODE: 1336



BAMPTON
 H: 35cm W: 55cm D: 41cm
 WILLOW
 CODE: 1338



EDGECOTT
 H: 35cm W: 56cm D: 45cm
 WILLOW
 CODE: 1337



ASH BUCKET
 H: 28cm W: 30cm D: 30cm
 CREAM GREY
 CODE: 0347 CODE: 0349



LARGE KINDLING BUCKET
 H: 28cm W: 30cm D: 30cm
 CREAM GREY
 CODE: 0348 CODE: 0346



SMALL KINDLING BUCKET
 H: 18cm W: 23cm D: 23cm
 CREAM GREY
 CODE: 0360 CODE: 0361

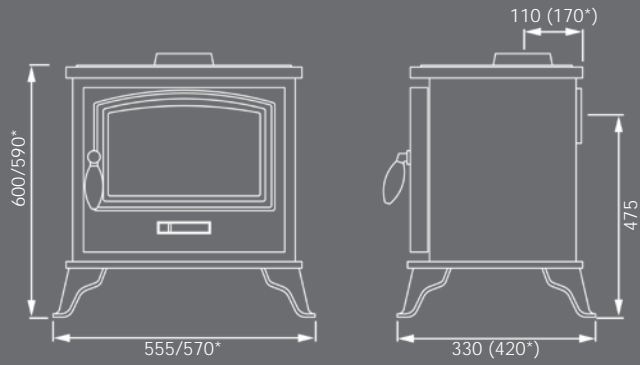


MATCH HOLDER
 H: 13cm W: 8cm D: 4cm
 CREAM GREY
 CODE: 1962 CODE: 1963

STOVES AT A GLANCE

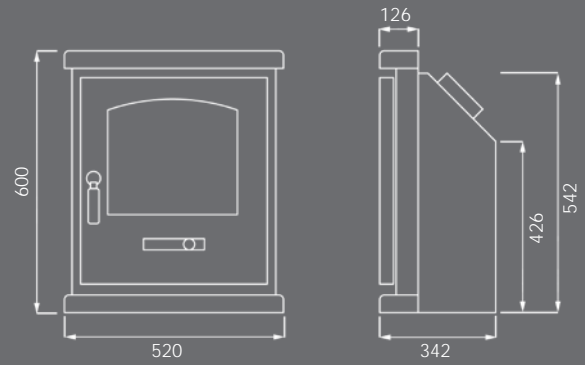
TIGER MULTI FUEL TIGER CLEAN BURN TIGER GAS*

*TIGER GAS MODEL -
MEASUREMENT
INCLUDES REAR FLUE
DIVERTER BOX



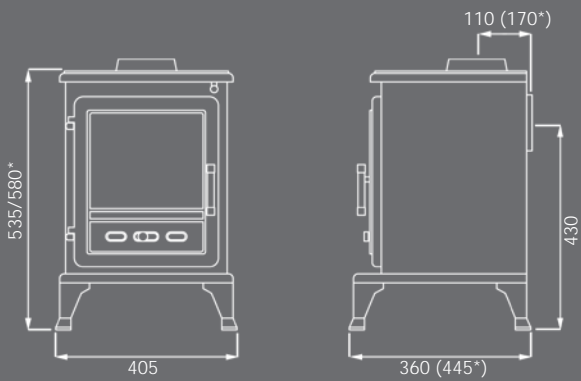
TIGER INSET

NOTE: INSET WIDTH IS 398mm

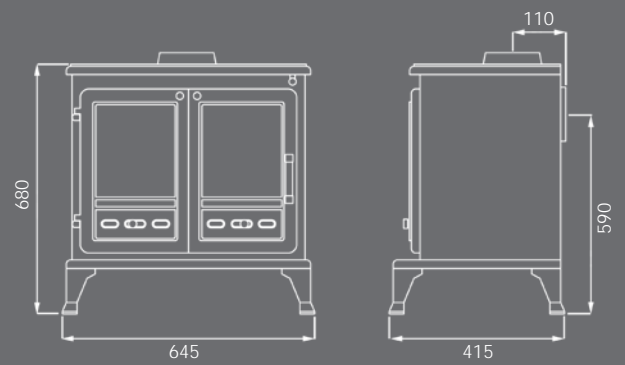


FIREFOX 5.1 MULTI FUEL FIREFOX 5.1 CLEAN BURN II FIREFOX 5 GAS*

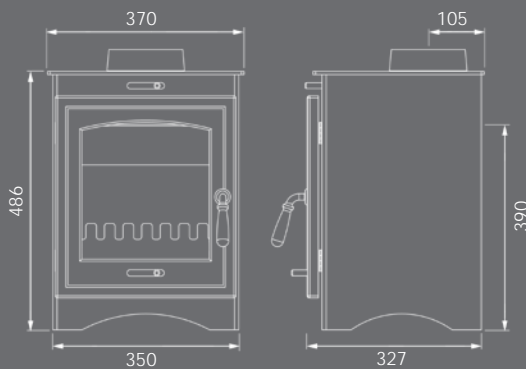
*FIREFOX 5 GAS
MODEL - MEASUREMENT
INCLUDES REAR FLUE
DIVERTER BOX



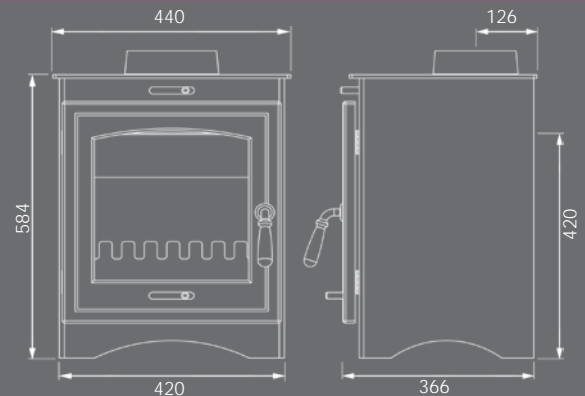
FIREFOX 12 FIREFOX 12 B



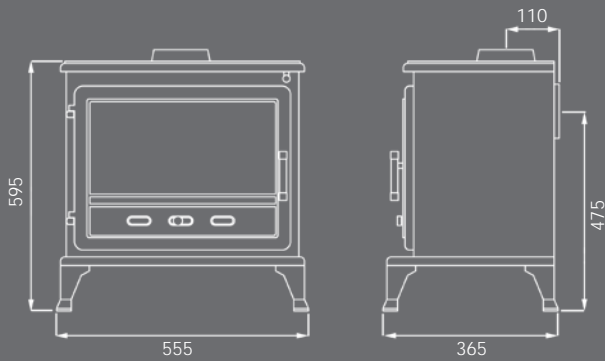
HELIOS 5 CLEAN BURN



HELIOS 8 CLEAN BURN

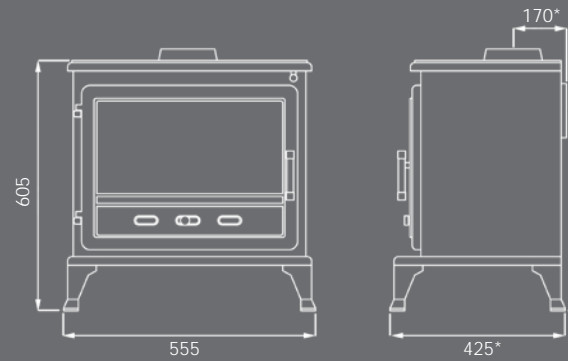


**FIREFOX 8.1 MULTI FUEL, FIREFOX 8.1 CLEAN BURN
FIREFOX 8 TD**

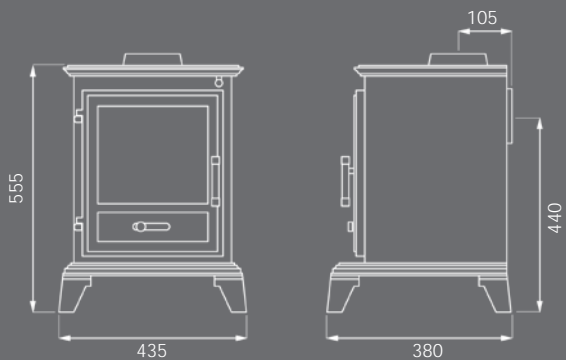


FIREFOX 8 GAS

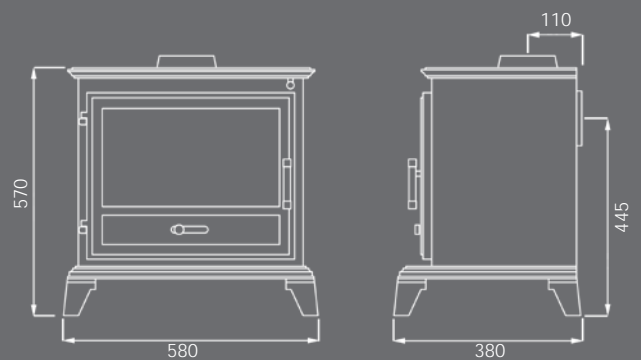
* MEASUREMENT INCLUDES REAR FLUE DIVERTER BOX



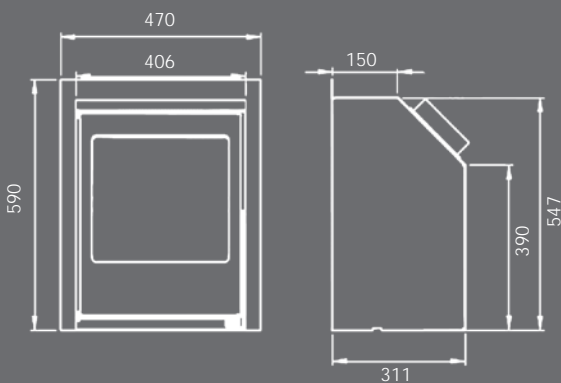
CLASSIC 5 CLEAN BURN



CLASSIC 8 CLEAN BURN



HELIOS INSET



All dimensions are in mm. Due to manufacturing processes, all measurements are approximate and may vary slightly. Please allow for a tolerance of plus or minus 12mm.

The Firefox 5 Gas, Firefox 8 Gas, Tiger gas, Tiger Inset and Helios Inset stoves are all top flue only. All other stoves have the option of top or rear flue.

The Tiger Gas and Firefox 8 Gas models have a 150mm flue collar but require a 125mm flue. The collar should be packed with rope/fire cement or sleeved with a 6" vitreous pipe to finish.

It is essential that your stove is installed in accordance with Building Regulations and any other standard requirements by a competent person with experience in fitting fireplaces - your retailer will be able to help you select an appropriately qualified installer.

STOVE INFORMATION

CHOOSING YOUR STOVE

There are many factors that will determine which is the ideal stove for you. Luckily we have a variety of stove types to ensure there is an option to suit your particular needs.

MULTI FUEL

If a stove is specified as multi fuel then it can burn a number of different fuel types including wood, coal, coke, peat, anthracite and smokeless fuels.









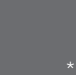
CLEAN BURN

Some towns and cities of the UK are designated SMOKE CONTROL areas and prohibit the burning of smoke producing fuels such as wood. In such circumstances, stoves can still be used if they burn smokeless fuels or gas. However, if you live in a smoke controlled area and still want the freedom to burn wood you can use a DEFRA approved CLEAN BURN stove. These stoves are specially designed to burn wood whilst producing lower smoke emissions. For information on smoke controlled areas visit the DEFRA website www.smokecontrol.defra.gov.uk.

CHOICE

To help you decide we've put together a table below so you can compare the features and specifications of each stove in the Gallery Collection. Don't forget, your retailer can be on hand with helpful advice to assist you with your decision.



STOVE	FUEL TYPES	OUTPUT (UP TO)	EFFICIENCY (UP TO)	WATER BOILER	CLEAN BURN	FLUE DIAMETER	DIMENSIONS IN mm (HxWxD)
 TIGER CLEAN BURN	MULTI*	5kW	73%	x	✓	150mm	600x555x330
TIGER MULTI FUEL	MULTI	6kW	77%	x	x	150mm	600x555x330
 TIGER INSET	MULTI*	4.9kW	82%	x	✓	150mm***	600X520X342
TIGER GAS	GAS	5kW	73%	x	x	125mm	590x570x420**
FIREFOX 5 MULTI FUEL	MULTI	4.9kW	78%	x	x	125mm	535x405x360
FIREFOX 8 MULTI FUEL	MULTI	8.4kW	79%	x	x	150mm	595x555x365
 FIREFOX 5 CLEAN BURN II	MULTI*	4.9kW	79%	x	✓	125mm	535x405x360
 FIREFOX 8 CLEAN BURN	MULTI*	7.9kW	77%	x	✓	150mm	595x555x365
FIREFOX 8 TD MULTI FUEL	MULTI	8.4kW	79%	x	x	150mm	595x555x365
FIREFOX 12 MULTI FUEL	MULTI	13kW	76%	x	x	150mm	680x645x415
FIREFOX 12 BOILER	WOOD	13kW	73%	✓	x	150mm	680x645x415
FIREFOX 5 GAS	GAS	4kW	73%	x	x	125mm	580x405x445**
FIREFOX 8 GAS	GAS	5kW	73%	x	x	125mm	605x555x425**
 CLASSIC 5 CLEAN BURN	MULTI*	4.9kW	79%	x	✓	125mm	558x430x370
 CLASSIC 8 CLEAN BURN	MULTI*	7.9kW	77%	x	✓	150mm	570x580x375
 HELIOS 5 CLEAN BURN	MULTI*	4.6kW	83%	x	✓	125mm	486x370x327
 HELIOS 8 CLEAN BURN	MULTI*	8.3kW	81%	x	✓	150mm	584x440x366
 HELIOS INSET CLEAN BURN	MULTI*	4.5kW	81%	x	✓	125mm	590x470x311

* Only wood and smokeless fuels may be used in clean burn mode

** Depth includes rear flue diverter box.

*** Required with additional PDQ adapter if fitting with a flue liner.

GENERAL INFORMATION

All Gallery stoves are manufactured from cast iron and it is vital that appliances undergo a period of 'burning in'. This involves small fires initially and then gradually increasing in size with each firing. If this process is adhered to then you should experience years of trouble free and, enjoyable use.

All Gallery stoves are CE approved to EN13240 and are suitable for use with a variety of fuels such as wood, coal, coke, peat, anthracite or smokeless fuels.

For safety all Gallery solid fuel stoves are supplied with a heat resistant mitten, as the stoves are very hot when being used.

Most stoves have a riddling grate mechanism to ease de-ashing. Ensure that all ash is removed from your solid fuel stove (once cooled) on a regular basis. It is important that a build up of ash is not allowed to occur as this will affect the life of the consumable parts within the burning chamber.

Except for the Tiger Inset, all other Gallery solid fuel stoves can be top or rear flue exit, gas stoves are top exit only.

Gallery stoves (excluding gas) utilize an 'air wash' system which helps to keep the large viewing glass clean during operation and improve efficiency.

Your Gallery fireplace is made up of a number of different components and it is important to ensure that your installer has the necessary qualifications and experience to fit ALL the components of a fireplace.

All gallery stoves are supplied with detailed, comprehensive installation and user instructions.

It is critical that ALL installations conform to relevant Building Regulations and should be carried out by a qualified Gas Safe Register registered installer when fitting a gas stove, or a HETAS qualified engineer when installing for use with solid fuel. Failure to comply with these requirements may reduce the efficiency and serviceability of your appliance and will invalidate any guarantee. It is essential that prior to any installation, a relevant qualified engineer verifies the proposed site, location and conditions are suitable for the stove selected.

All installations must be carried out in accordance with the requirements set out in the Building Regulation documents, in particular Approved Document J. Independent bodies have been approved to carry out installations in accordance with these regulations. For gas installations the most recognised independent body is GAS SAFE REGISTER (Board Gais in ROI) and for solid fuel installations it is HETAS. Please confirm with your retailer that your new fireplace will be installed appropriately. A CO detector must be installed with all solid fuel appliances.,

If your new fireplace is fitted by a GAS SAFE REGISTER (Board Gais in ROI) or HETAS registered fitter you will be given a certificate stating that your installation has been carried out in accordance with the Building Regulations. If you do not have one of these certificates then you must arrange for your local Building Control Officer to inspect your installation and approve it.

There are occasions when designs or products are altered or discontinued without prior notice (a reserved right). Please consult your retailer before making your final choice.

UNDERSTANDING YOUR GALLERY STOVE

CAST IRON

Do not use a water-based cleaner or polish to clean cast iron products.

There are some very high temperature burning fuels which can cause damage to any fireplace. Please refer to the Solid Fuel Association (www.solidfuel.co.uk) recommendations and use an approved coal merchant as your supplier.

No responsibility can be accepted if high temperature fuels have been used or if there is excessive draft.

Clean ash away regularly as a build up beneath the fire will cause the grate to burn out quickly. The grate is a consumable part of your fire and will need replacement from time to time, depending on the frequency and burning temperature of your fires.

GAS STOVES

A gas stove is a technical piece of equipment and needs regular servicing. Ensure that you have your gas stove serviced regularly by a Gas Safe Register (Board Gais in ROI) registered installer.